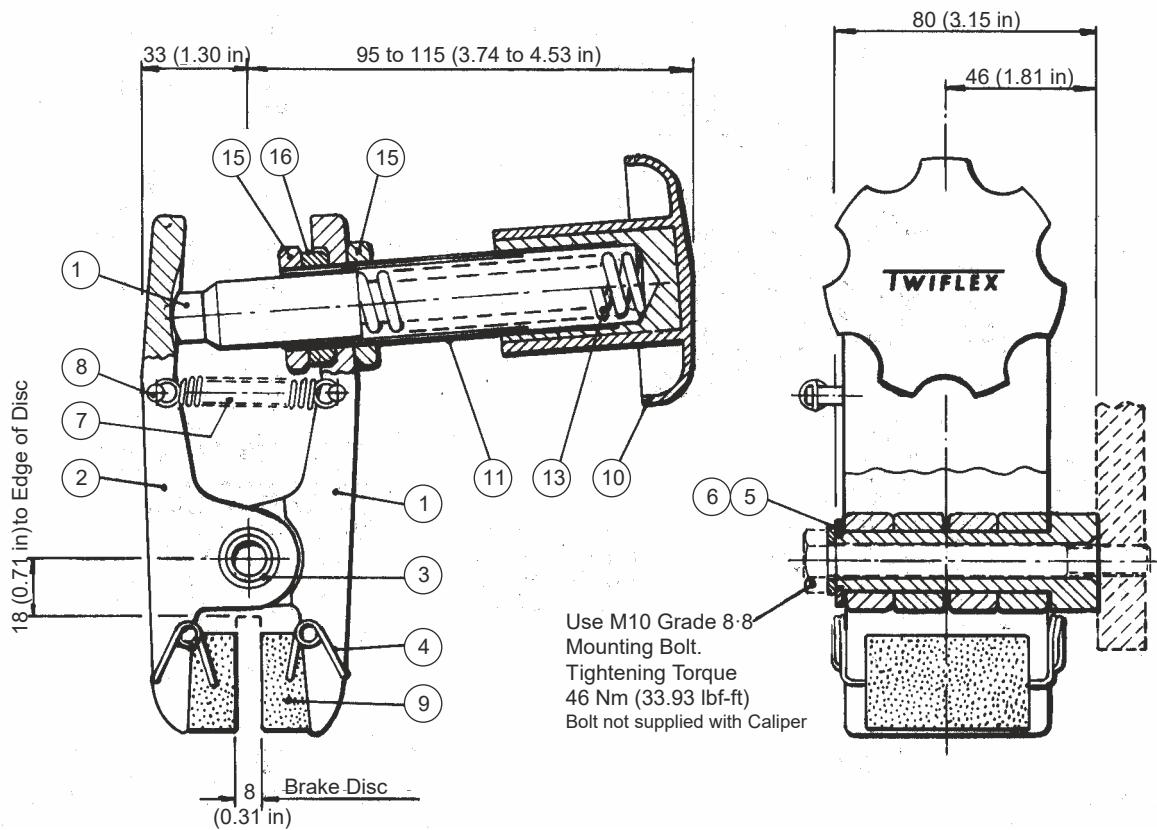


Disc Brake Caliper: Type MUH - Hand Operated, Spring Applied

Handwheel Adjustable



Disc Brake Caliper Assembly Type MUH

Parts List

Item	Component	Part No.	Qty.
1	Arm (Thruster Side)	6640177	1
2	Arm (Opposite Side)	6640178	1
3	Pivot Post	8240039	1
4	Pad Retaining Spring	2400093	2
5	9/16" Plain Washer	4700209	1
6	M10 Plain Washer	4700208	1
7	Tension Spring	2400109	2
8	Grooved Pin	3100088	2

Item	Component	Part No.	Qty.
9	Brake Pad	7080047	2
10	Hand Knob	7900637	1
11	Sleeve	7950388	1
12	Push Rod	7952012	1
13	Spring	2500109	1
14			
15	3/4" BSP Nut	5100051	2
16	Spacer	1650494	1

Technical Data MUH:

Hand Knob Assembly only Part No. 7800173.

CaJiper only Part No. 6780918.

Complete assembly (Caliper and hand knob assembly) Part No. 6780925.

Weight (complete assembly) - 1.150kg (2.54 lb)

Minimum brake disc diameter- 150mm (5.91 in)

Disc thickness (Standard) - 8mm (0.31 in)

New pad dimensions - 30x50x21mm (1.18x1.97x0.83 in) thick

Brake pad wear allowance - 2mm (0.08 in) each pad maximum

Total pad area - 30cm² (4.65 in²)

Braking Force 560 N (125 lbf) at coefficient of friction $\mu = 0.38$
 Brake torque (Nm) = Braking force (N) x effective disc radius (m).
 (Effective disc radius (m) = actual radius (m) - 0.020).



Tel: +44 (0)1453 750814
 Fax: +44 (0)1453 765320
 www.howdon.co.uk
 sales@howdon.co.uk