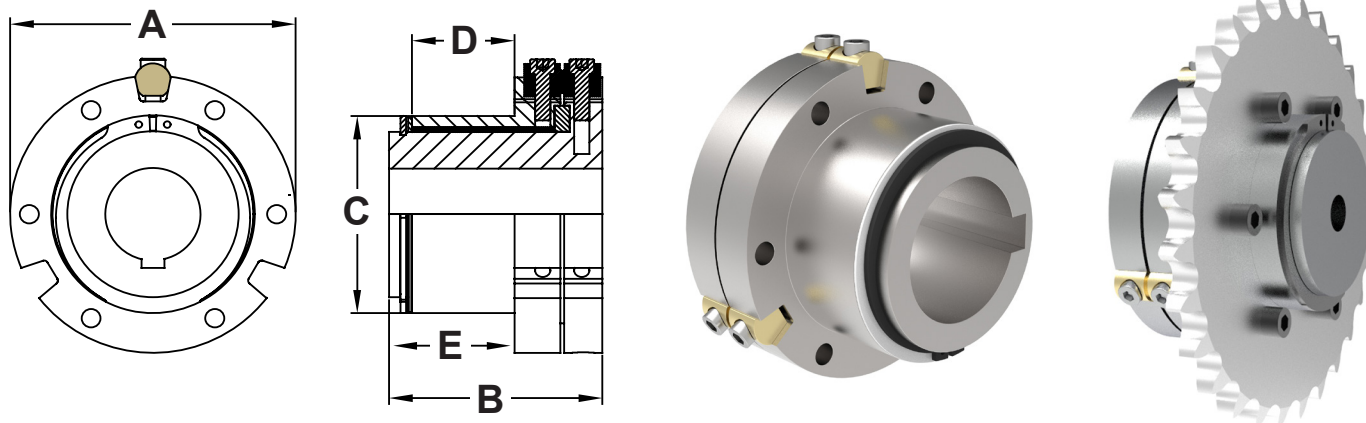


Wedgegard® Type S Hub Chain & Pulley Drives

DATASHEET Version 4/2020 - mm-Nm



- Type S Wedgegard Units can be supplied with Sprocket, Pulley or Gear.
- Standard Units for release torques up to 1,079,790 in-lbs. Torque is adjustable by Wedgepin ratings.
- NOTE - Some units may have extra Wedgeslots for increased Torque Capacity, these should only be used in accordance with your drives maximum overload requirements and shaft keyway stresses.
- Monitor Trip Plate supplied as an optional extra on some unit sizes for Limit or Proximity Switch shutdown.
- Units S250 to S950 supplied from stock, S1000 to S1600 are built to order, thus dimensions can be adjusted to customer requirements.
- Systems to switch off motor automatically must be used for drives with shaft speed above 120 RPM.
- For speeds over 500 RPM, please consult Howdon™
- Higher Release/Shear Torques may be available.**

Size		S250	S350	S500	S700	S800	S950	S1000	S1200	S1400	S1600
Max Release/Shear Torque (Nm)	Brass	-	2028	2351	5843	6865	15695	-	-	-	-
	Steel	485	2785	3229	8024	9430	21557	76403	100373	135000	148125
Wedgeslot Quantity & Wedgepin Type		2 x W25	3 x W37	3 x W37	3 x W50	3 x W50	3 x W75	4 x W100	4 x W100	4 x W120	4 x W120
Pin Working Radius		37.6	47	54.5	72	84.6	105.5	127.5	167.5	180	197.5
Maximum Bore		25	35	50	70	85	100	120	150	180	200
Outside Diameter (A)		80	100	115	150	175	230	280	360	390	425
Overall Length (B)		50	70	77	112	116	155	200	305	320	325
Spigot Diameter (C)		55	70	75	107	120	165	170	262	290	305
Spigot Length (D)		18	24	36	54	40	68	104	149	148	148
Spigot Length inc Overhang (E)		25	33.5	46	66	55	86	116	N/A	N/A	N/A
Bolt Fixing Quantity & Size		6 x M5	6 x M6	6 x M8	6 x M10	6 x M12	6 x M16	8 x M20	8 x M20	8 x M24	12 x M24
Fixing Bolt P.C.D.		68	85	92	130	146	200	240	320	350	370
Weight Approx (lbs) Un-bored.		1.2	2.84	3.89	9.59	15.18	33.28	-	-	-	-

*All dimensions in Inches unless otherwise specified. Inches dimensions are direct conversion from (mm).

Maximum Release/Shear Torques shown are for RED coded Wedgepins fitted. Dimensions and specifications may change for improvement without notice.



Can't find the torque limiter you're looking for? Howdon offers a bespoke engineering design service.

Tel: +44 (0)1453 750814
Fax: +44 (0)1453 765320
www.howdon.co.uk
sales@howdon.co.uk

