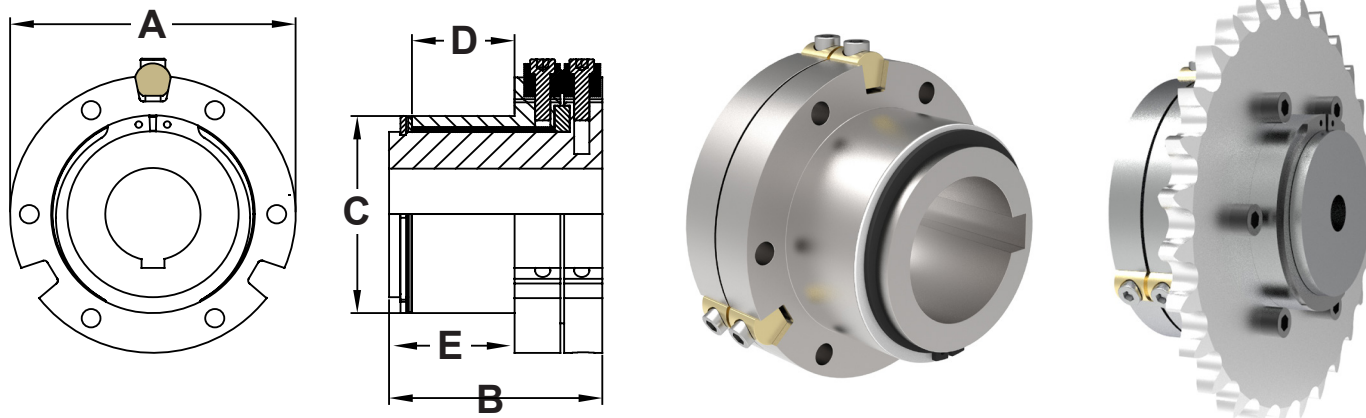


Wedgegard® Type S Hub Chain & Pulley Drives

DATASHEET Version 4/2020 - in-lbs-ft



- Type S Wedgegard Units can be supplied with Sprocket, Pulley or Gear.
- Standard Units for release torques up to 1,079,790 in-lbs. Torque is adjustable by Wedgepin ratings.
- NOTE - Some units may have extra Wedgeslots for increased Torque Capacity, these should only be used in accordance with your drives maximum overload requirements and shaft keyway stresses.
- Monitor Trip Plate supplied as an optional extra on some unit sizes for Limit or Proximity Switch shutdown.
- Units S250 to S950 supplied from stock, S1000 to S1600 are built to order, thus dimensions can be adjusted to customer requirements.
- Systems to switch off motor automatically must be used for drives with shaft speed above 120 RPM.
- For speeds over 500 RPM, please consult Howdon™
- Higher Release/Shear Torques may be available.**

Size		S250	S350	S500	S700	S800	S950	S1000	S1200	S1400	S1600
Max Release/Shear Torque (in/lb)	Brass	-	17946	20809	51713	60763	138915	-	-	-	-
	Steel	4293	24647	28580	71022	83451	190794	676224	888373	1194851	1311017
Max Release/Shear Torque (lb ft)	Brass	-	1495	1734	4309	5064	11576	-	-	-	-
	Steel	358	2054	2382	5918	6954	15899	561580	74031	99571	109251
Wedgeslot Quantity & Wedgepin Type		2 x W25	3 x W37	3 x W37	3 x W50	3 x W50	3 x W75	4 x W100	4 x W100	4 x W120	4 x W120
Pin Working Radius - inch		1.480	1.850	2.146	2.835	3.331	4.154	5.020	6.594	7.087	7.776
Maximum Bore - inch		0.984	1.378	1.969	2.756	3.346	3.937	4.724	5.906	7.087	7.874
Outside Diameter (A) - inch		3.150	3.937	4.528	5.906	6.890	9.055	11.024	14.173	15.354	16.732
Overall Length (B) - inch		1.969	2.756	3.031	4.409	4.567	6.102	7.874	12.008	12.598	12.795
Spigot Diameter (C) - inch		2.165	2.756	2.953	4.213	4.724	6.496	6.693	10.315	11.417	12.008
Spigot Length (D) - inch		0.709	0.945	1.417	2.126	1.575	2.677	4.094	5.866	5.827	5.827
Spigot Length inc Overhang (E) - inch		0.984	1.319	1.811	2.598	2.165	3.386	4.567	N/A	N/A	N/A
Bolt Fixing Quantity & Size		6 x M5	6 x M6	6 x M8	6 x M10	6 x M12	6 x M16	8 x M20	8 x M20	8 x M24	12 x M24
Fixing Bolt P.C.D. - inch		2.677	3.346	3.622	5.118	5.748	7.874	9.449	12.598	13.780	14.567
Weight Approx (lbs) Un-bored.		2.65	6.26	8.58	21.14	33.47	73.37	-	-	-	-

*All dimensions in Inches unless otherwise specified. Inches dimensions are direct conversion from (mm).

Maximum Release/Shear Torques shown are for RED coded Wedgepins fitted. Dimensions and specifications may change for improvement without notice.



Can't find the torque limiter you're looking for? Howdon offers a bespoke engineering design service.

Tel: +44 (0)1453 750814
 Fax: +44 (0)1453 765320
www.howdon.co.uk
sales@howdon.co.uk

