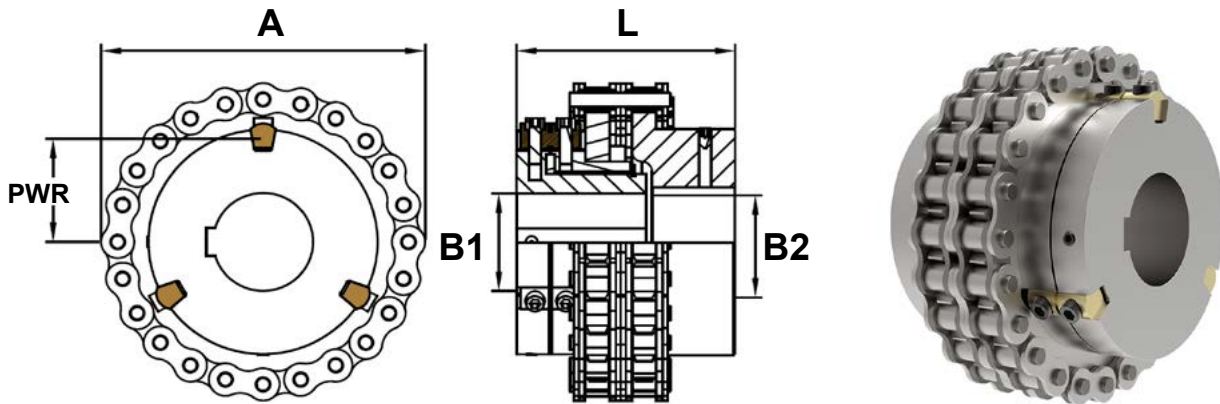


Wedgegard® Chain Coupling Manual Reset

DATASHEET Version 4/2020 - mm-Nm



- Chain Type Wedgegard Couplings are supplied bored and keywayed to customer requirements.
- Standard Units for release torques up to 761403 Nm.
- Torque is adjustable by Wedgepin ratings.
- Designs to suit special drive requirements are available.
- Standard natural finish on Wedgegard unit and chain coupling, chemical blacking as an option..
- **Higher Release/Shear Torques may be available.**

Model	Misalignment		Max Release Nm	Max Drive Torque	Wedgepin	PWR	Dia (A)	Max Bores		Length (L)
	Parallel	Angular						Sprocket (B1)	Wedgegard (B2)	
S350	0.31 mm	½ °	2785	1500	3 x W37	35	137	57	30	106
S500	0.38 mm	½ °	3230	2000	3 x W37	47	187	70	50	119
S700	0.51 mm	½ °	8024	5500	3 x W50	72	248	102	70	162
S950	0.75 mm	½ °	21557	14000	3 x W75	105.5	326	150	100	216
S1000	1.00 mm	½ °	761403	38000	4 x W100	127.5	462	200	120	286

*All dimensions in mm unless otherwise specified.
Inch dimensions are direct conversion from (mm).

Maximum Release/Shear Torques shown are for RED coded Wedgepins fitted.
Dimensions and specifications may change for improvement without notice.



Can't find the torque limiter you're looking for? Howdon offers a bespoke engineering design service.

Tel: +44 (0)1453 750814
Fax: +44 (0)1453 765320
www.howdon.co.uk
sales@howdon.co.uk

