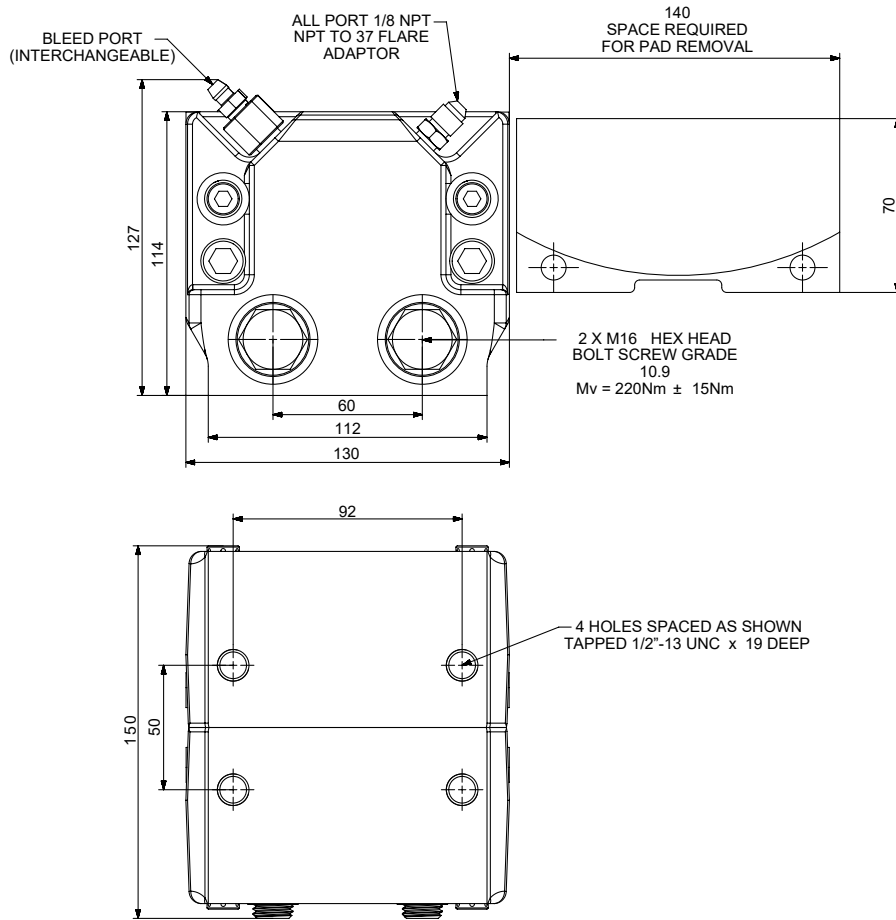


**DS2516-A4**

**T35 Disc Brake Caliper – Hydraulically**

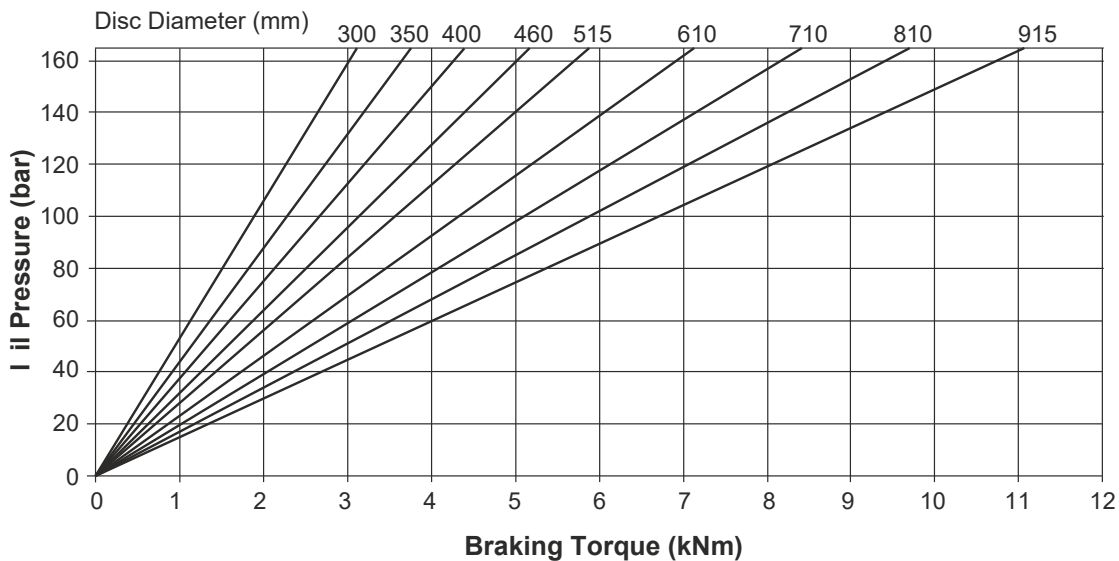
Nominal dimensions given. For specific dimensions please contact Twiflex.



**Nominal Braking Force = 25.9 kN at 165 bar oil pressure (normal maximum working pressure)**

Braking Force is defined as the Tangential Force acting on the brake disc at the Effective Disc Radius.

Braking Torque (Nm) = Braking Force (N) x Effective Disc Radius (m) where Effective Disc Radius = Actual Disc Radius - 0.03

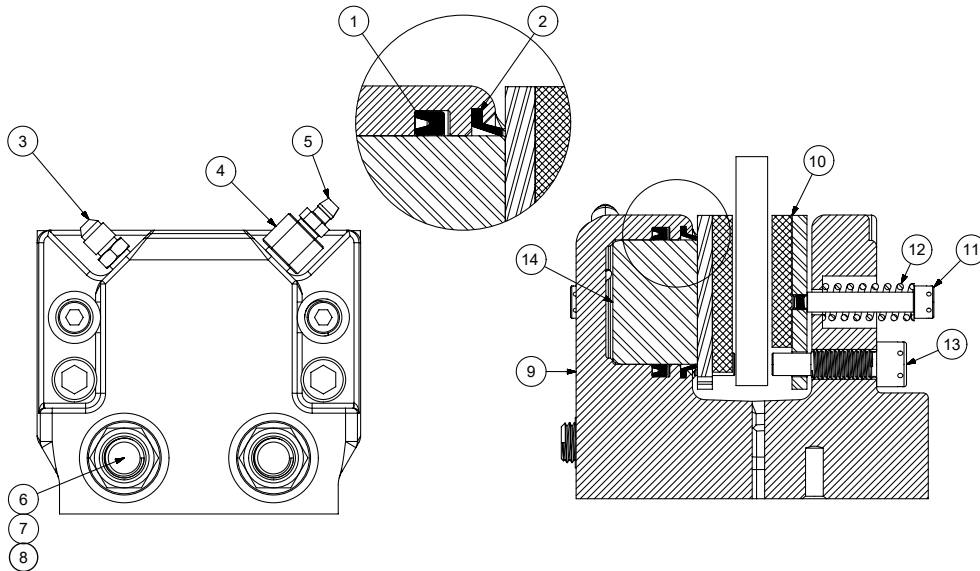


The ratings shown on the above graph are based on fully bedded and conditioned brake pads with nominal friction coefficient  $\mu=0.4$ .

For bedding-in and conditioning procedures see Publication M1060.

Twiflex Disc Brakes must be used with Twiflex asbestos free brake pads. The use of any other brake pads will invalidate the warranty. Twiflex reserves the right to modify or change the design without prior notice.

# T35 Disc Brake Caliper – Hydraulically



Item	Component	Part No.	QTY
1	Pressure Seal	6000821	2
2	Scraper Seal	6000822	2
3	NPT to 37° Flare Adaptor	7301524	2
4	NPT Adaptor	7301522	2
5	Bleed Nipple	7301525	2
6	M16 Nut	5100371	2
7	M16 Washer	4700210	2

Item	Component	Part No.	QTY
8	M16 x 130 Bolt	5001162	2
9	T35 Caliper Housing	7959150	2
10	T35 Pad Assembly	7000401-Z	2
11	Spring Retainer Screw	7959147	4
12	Spring	2500408	4
13	Pad Guide Screw	7959148	4
14	Piston	7959149	2

## General Description

The Twiflex T35 disc brake is a hydraulic pressure-applied modular caliper design consisting of two identical halves bolted together. In this standard configuration the brake can accommodate a disc thickness of 12.7 mm. Brake discs may be any diameter from 260 mm, with no upper limit except for practical considerations.

The brake is designed to permit use in vertical shaft applications and features pad retraction springs to prevent dragging due to self weight of the linings. The T35 is fitted with hardened and ground steel pistons on which a scraper seal bears to minimise contamination risk in harsh environments.

Four fixing bolts (1/2"-13 UNC) are used to mount the unit radially, from the rear of the housing. These must be tightened to 94 Nm.

## Technical Data

Material – Cast Iron to BS EN 1563: SG Iron 600-3

Total caliper weight (2 halves) – 11 kg

Pad Dimensions (new) – 130 x 70 x 14 mm

Pad wear allowance – 6 mm per pad

Total pad friction area – 75 cm<sup>2</sup> each pad

Pad retraction – 1 mm (each pad)

Total oil displacement for 1 mm stroke (both pistons) – 15 ml

Minimum disc diameter – 260 mm

Disc thickness – 12.7 mm

Hydraulic fluids – use with mineral oil based hydraulic fluids such as Shell Tellus 37 or Castrol Hyspin AWS32



This approval is in Accordance with  
Certificate number 850822  
Issue 04 June 2009 © Twiflex 2001 Issue 01

Tel: +44 (0)1453 750814  
Fax: +44 (0)1453 765320  
www.howdon.co.uk  
sales@howdon.co.uk