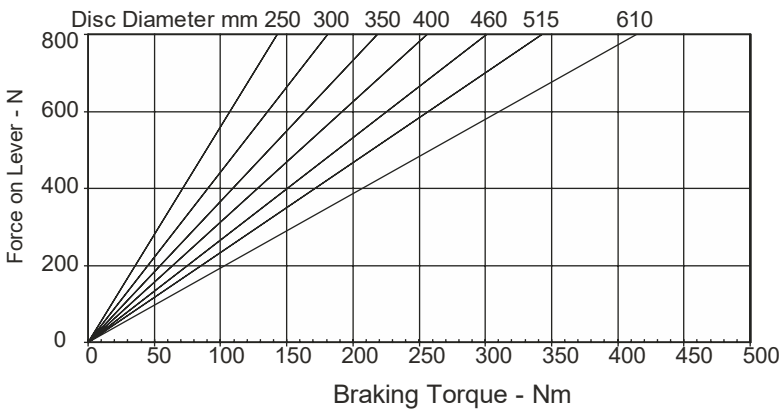
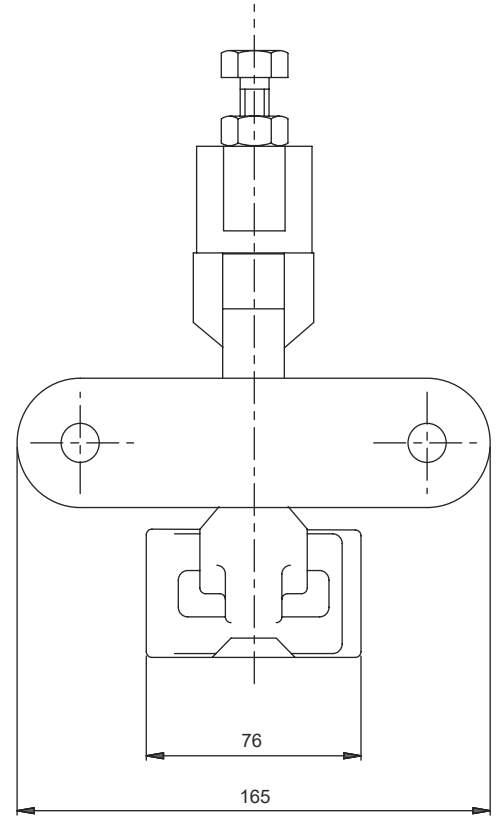
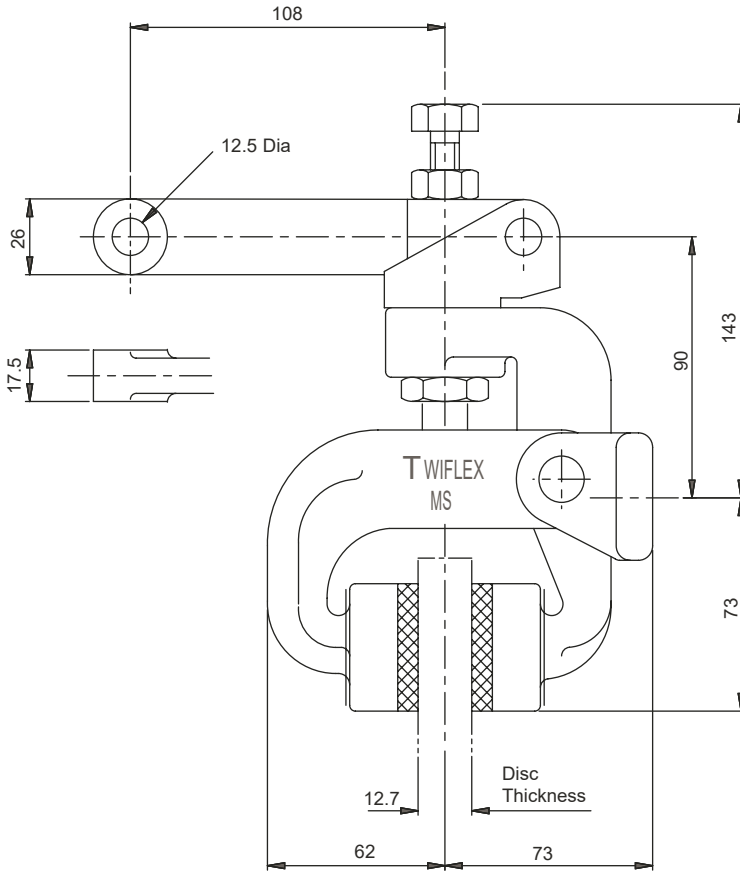


**MSF Disc Brake Caliper - Mechanically Applied, Lever Operated**

Nominal dimensions given  
For caliper dimensions see DS1500



Weight (caliper and thruster) - 2.13kg  
(Lever assembly only) - 0.63kg

**Maximum Braking Force = 1.88kN @ 0.8kN force on lever**

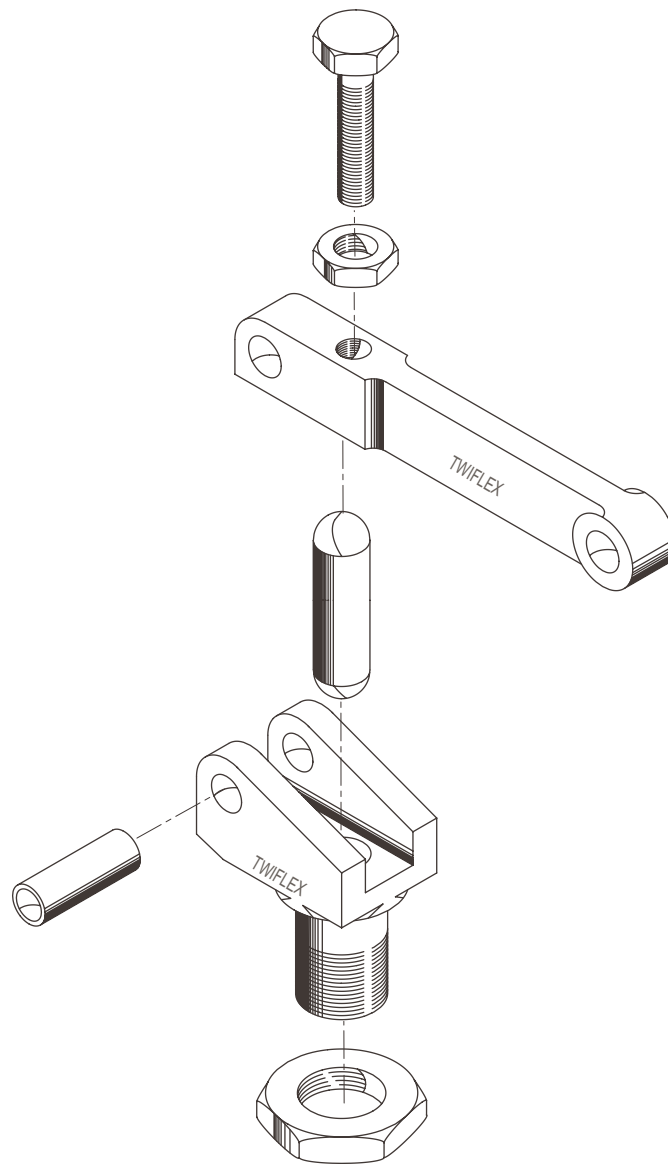
The ratings shown on the above graph are based on fully bedded and conditioned brake pads with nominal friction coefficient  $\mu = 0.4$ .

For bedding-in and conditioning procedures see Publication M1060.

Braking Force is defined as the Tangential Force acting on the brake disc at the Effective Disc Radius.  
Braking Torque (Nm) = Braking Force (N) x Effective Disc Radius (m) where Effective Disc Radius = Actual Disc Radius - 0.03.

Twiflex Disc Brakes must be used with Twiflex asbestos free brake pads. The use of any other brake pads will invalidate the warranty.

Twiflex Limited reserves the right to modify or change the design without prior notice.



**Lever Part Number 7800128**

## Lever fitment

1. Offer thruster to caliper making sure that the lock nut is removed before placing push rod through caliper arm.
2. Fit lock nut over the push rod and locate its end within the slot of the arm.
3. Tighten the lock nut to 50-60 Nm.

