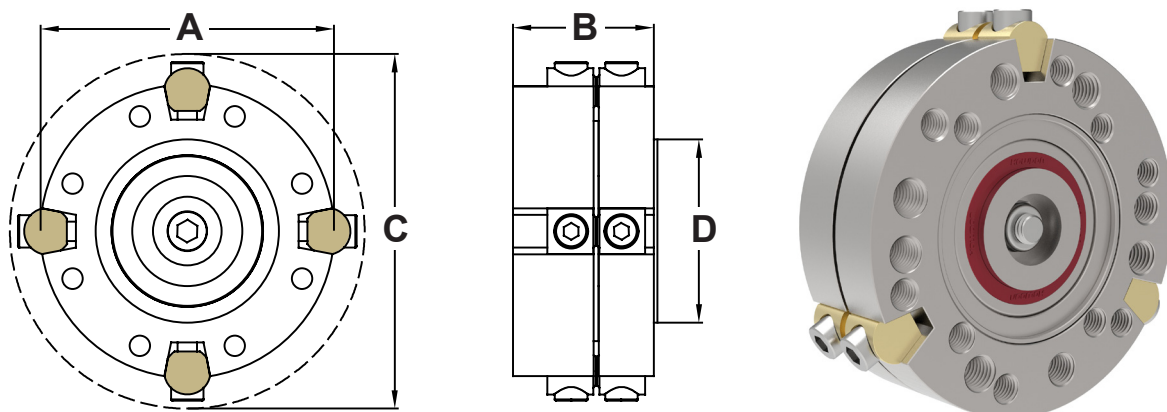


# Wedgegard® Type DIN Spacer Manual Reset

DATASHEET Version April 2020 - mm-Nm



- Fits standard DIN UJ (Universal Joint) companion flanges.
- Release torque is adjustable by Wedgepin ratings.
- The maximum release torque is based on maximum Wedgepin capacity and not Universal Joint shaft capacity- Check your Universal.
- Joint shaft manufacturers max load rating.
- Adaptor Flange maybe required when fitting to PTO Gear Box Flange.
- Spigot diameters may change on higher rated Universal Joint shafts
- Sizes 150 and above are supplied with face keyways.
- When selecting high overloads always limit the release torque to 90% of Universal Joint shaft manufacturers full load rating.
- Non Standard units can be made to order.
- **Higher Release/Shear Torques may be available.**

Size - DIN	90	100	120	150	180	180	225	250	285	315	350	390	435
UJ Shaft Size	90	100	120	150	180	180	225	250	285	315	350	390	435
Max Release/ Shear Torque (Nm)	Brass	2028	2028	6167	7790	9413	15968	-	-	-	-	-	-
	Steel	2785	2785	8470	10699	12928	21931	59924	67415	77901	86890	129375	151875
Wedgeslot Quantity & Wedgepin Type	47	47	57	72	87	80.5	100	112.5	130	145	172.5	180	202.5
Pin Working Radius (PWR)	100	100	120	150	180	180	225	250	285	315	375	390	435
Outside Diameter (A)	37	36	58	73	73	73	82	89	115	120	150	150	195
Length (B)	115	115	140	180	210	210	265	290	325	360	430	450	480
Clearance Diameter (C)	47	57	75	90	110	110	105	105	145	175	220	170	190
Spigot Diameter (D)	4 x M8	6 x M8	6 x M8	8 x M12	8 x M14	8 x M14	8 x M16	8 x M18	8 x M20	10 x M22	10 x M22	10 x M24	16 x M27
Bolt Fixing Quantity & Size	74.5	84	101.5	130	155.5	155.5	196	218	245	280	310	345	385
Bolt Fixing P.C.D.	2.9331	3.3071	3.9961	5.1181	6.1220	6.1220	7.7165	8.5827	9.6457	11.0236	12.2047	13.5827	15.1575

\*All dimensions in mm unless otherwise specified

Maximum Release/Shear Torques shown are for RED coded Wedgepins fitted.  
Dimensions and specifications may change for improvement without notice.



Can't find the torque limiter you're looking for? Howdon offers a bespoke engineering design service.

Tel: +44 (0)1453 750814  
Fax: +44 (0)1453 765320  
www.howdon.co.uk  
sales@howdon.co.uk

