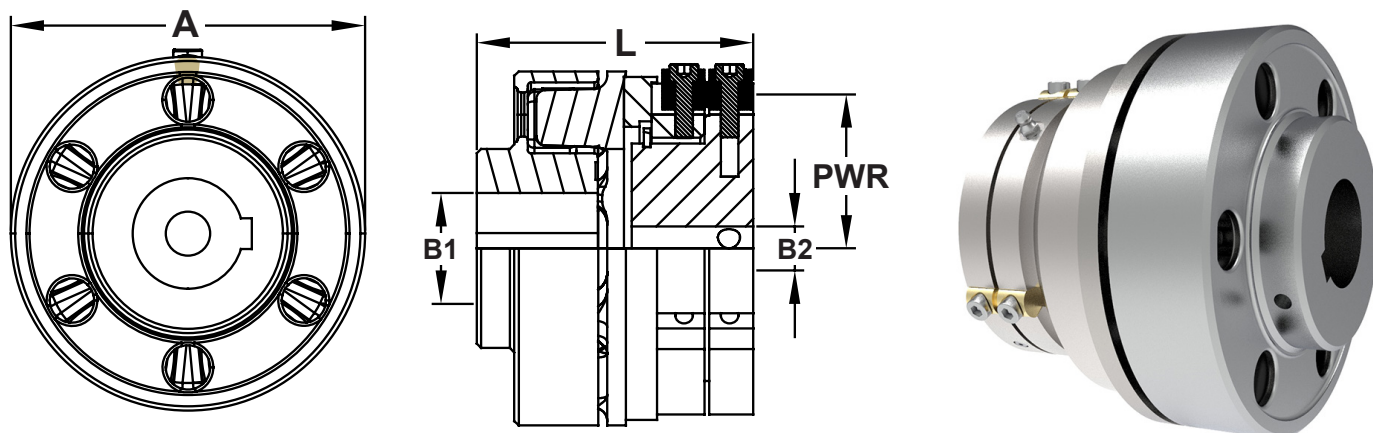


Wedgeward® CFS Flexible Coupling Manual Reset

DATASHEET Version 7/2020 - mm-Nm



- Type CFS Wedgeward couplings combine a Centaflex half coupling with the Wedgeward torque limiter.
- Units can be supplied bored and keywayed to customer requirements.
- Standard Units for release torques up to 76403 Nm.
- Standard finish - Natural or Chemically Blacked.
- **Higher Release/Shear Torques may be available.**

Model	Nom Drive Nm	Max Release Nm	Wedgепins	PWR	Dia (A)	Bores		Length (L)	Length With Monitor	Min Shaft Gap
						Max (B1)	Max (B2)			
CFS 500-160	600	3229	3 x W37	54.5	160	60	50	181	-	10
CFS 500-198	1200	3229	3 x W37	54.5	198	75	50	195	-	10
CFS 700-220	2500	8024	3 x W50	72	220	85	70	218	-	10
CFS 700-275	5000	8024	3 x W50	72	275	100	70	238	-	10
CFS 950-350	10000	21557	3 x W75	105.5	350	130	100	320	-	15
CFS 1000-425	20000	76403	4 x W100	127.5	425	160	120	359	385	15

All dimensions in mm unless otherwise specified.

Maximum Release /Shear Torques shown are for RED coded Steel Wedgепins fitted – for the complete torque range see S Hub Torque Tables



Can't find the torque limiter you're looking for? Howdon offers a bespoke engineering design service.

Tel: +44 (0)1453 750814
Fax: +44 (0)1453 765320
www.howdon.co.uk
sales@howdon.co.uk

