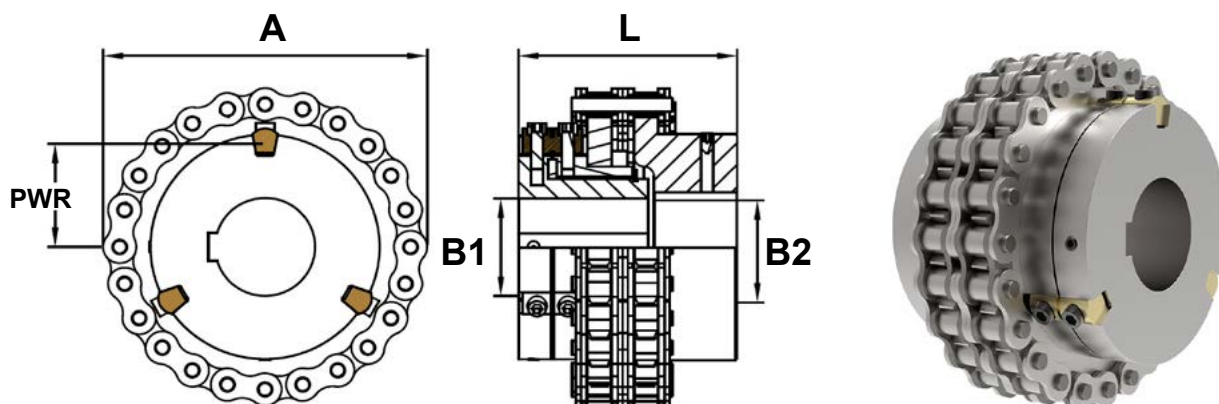


# Wedgegard® Chain Coupling Manual Reset

DATASHEET Version 4/2020 - ft/lbs



- Chain Type Wedgegard Couplings are supplied bored and keywayed to customer requirements.
- Standard Units for release torques up to 561580 ft-lb.
- Torque is adjustable by Wedgepin ratings.
- Designs to suit special drive requirements are available.
- Standard natural finish on Wedgegard unit and chain coupling, chemical blacking as an option..
- **Higher Release/Shear Torques may be available.**

Model	Misalignment		Max Release in-lbs	Max Drive Torque	Wedgepin	PWR	Dia (A)	Max Bores		Length (L)
	Parallel	Angular						Sprocket (B1)	Wedgegard (B2)	
S350	0.31 mm	½ °	2054	1106	3 x W37	1.378	5.394	2.244	1.181	4.173
S500	0.38 mm	½ °	2382	1475	3 x W37	1.850	7.362	2.756	1.969	4.685
S700	0.51 mm	½ °	5918	4057	3 x W50	2.835	9.764	4.016	2.756	6.378
S950	0.75 mm	½ °	15900	10326	3 x W75	4.154	12.835	5.906	3.937	8.504
S1000	1.00 mm	½ °	561580	28027	4 x W100	5.020	18.189	7.874	4.724	11.260

\*All dimensions in Inches unless otherwise specified. Inch dimensions are direct conversion from (mm).

Maximum Release/Shear Torques shown are for RED coded Wedgepins fitted. Dimensions and specifications may change for improvement without notice.



Can't find the torque limiter you're looking for? Howdon offers a bespoke engineering design service.

Tel: +44 (0)1453 750814  
Fax: +44 (0)1453 765320  
www.howdon.co.uk  
sales@howdon.co.uk

