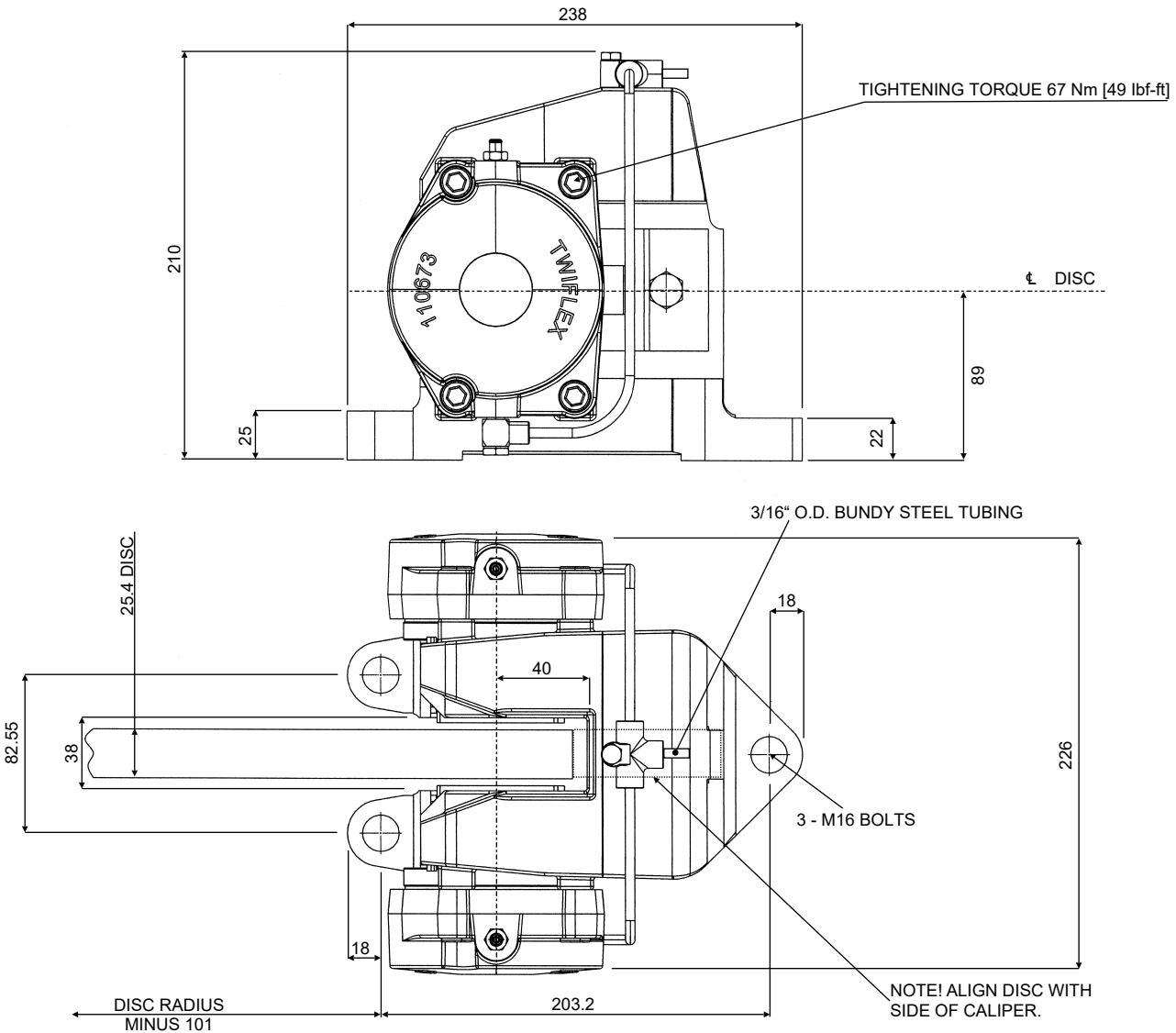


VC DISK BRAKE CALIPER - HYDRAULICALLY APPLIED

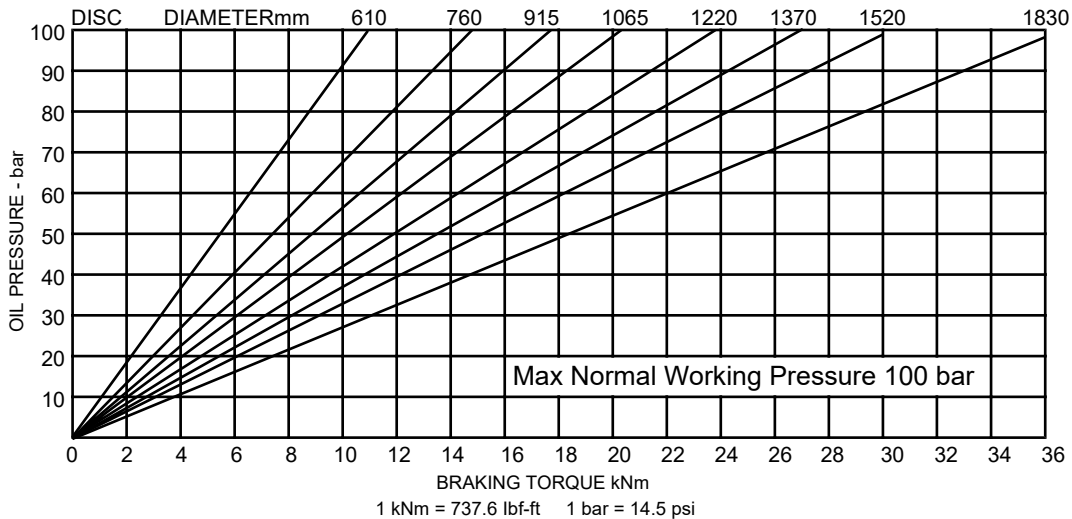


Performance Data:

Braking Force: 42 kN at 100 bar oil pressure (normal maximum working pressure).

Braking Torque: (kNm) = Braking Force (kN) x Effective Disc Radius (m) where Effective Disc Radius (m) = Actual Disc Radius (m) - 0.040.

The above Braking Force figure is based on the standard pad friction coefficient $\mu=0.4$



The ratings shown on the above graph are based on fully bedded-in pads.

IMPORTANT. The caliper must only be used with **MINERAL OIL** based Hydraulic Fluid.

VC DISK BRAKE CALIPER - HYDRAULICALLY APPLIED

Technical Data:

Weight: VC Brake Caliper (including Pads) - 20kg

Total Pad Area - 122cm²

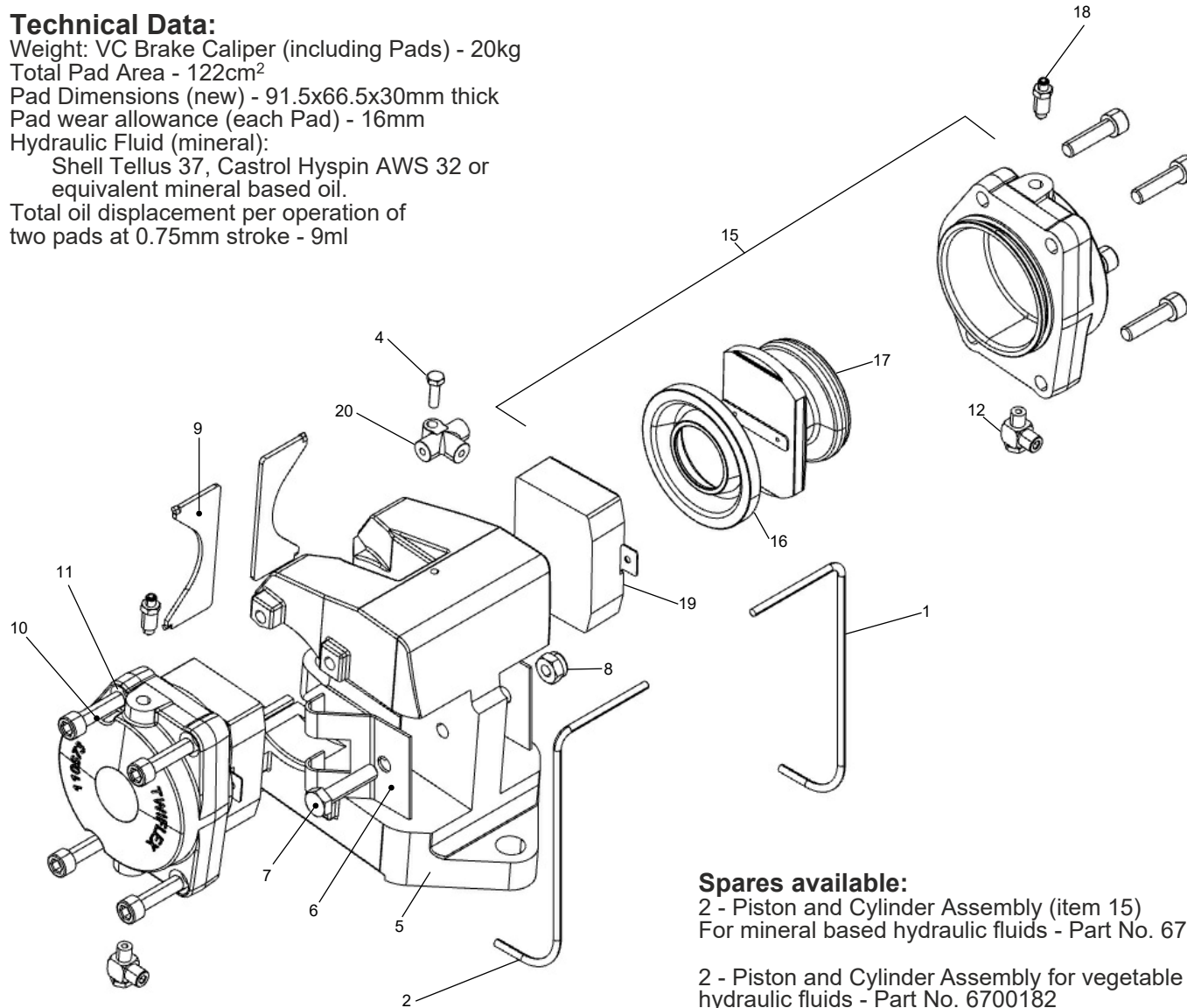
Pad Dimensions (new) - 91.5x66.5x30mm thick

Pad wear allowance (each Pad) - 16mm

Hydraulic Fluid (mineral):

Shell Tellus 37, Castrol Hyspin AWS 32 or equivalent mineral based oil.

Total oil displacement per operation of two pads at 0.75mm stroke - 9ml



Spares available:

2 - Piston and Cylinder Assembly (item 15)
For mineral based hydraulic fluids - Part No. 6700181

2 - Piston and Cylinder Assembly for vegetable based
hydraulic fluids - Part No. 6700182

HOWDON™

TORQUE LIMITERS

Complete VC Brake Caliper Assy. for use with mineral based hydraulic fluids. Part No. 6780250.

Marine version of VC Caliper for use with mineral based hydraulic fluids. Part No. 6780384.

VC Caliper for use with vegetable based hydraulic fluids can also be supplied to special order.

Parts List for Caliper Part No. 6780250 (mineral)

Item	Component	Part No.	Qty.
1	Bridge Pipe R.H.	7300418	1
2	Bridge Pipe L.H.	7300427	1
3	Washer (Not Shown)	5800031	1
4	Bolt	5300200	1
5	Caliper Body	6700163	1
6	Keep Plate	6700165	2
7	Keep Plate Bolt	5000143	1
8	Keep Plate Nut	5100034	1
9	Support Plate	7950302	2
10	Cylinder Cap Screw	5400186	8
11	Spring Washer	5800009	8
12	Banjo Assy.	7300447	2
13	Olive (Not Shown)	7300274	5
14	Tubing Nut (Not Shown)	7300001	5
15	Piston & Cylinder Assy.	6700181	2
16	Dust Seal	6700068	2
17	Piston Seal	6000262	2
18	Bleed Screw	6700217	2
19	Pad Assy.	7080011	2
20	Tee Connector	7300150	1

TWIFLEX™
A REGAL REYNOLD BRAND



Tel: +44 (0)1453 750814
Fax: +44 (0)1453 765320
www.howdon.co.uk
sales@howdon.co.uk