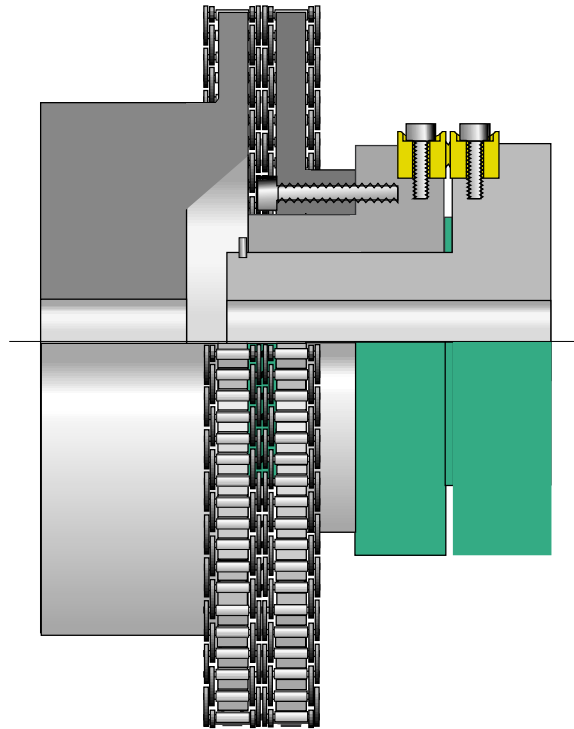


Wedgegard® Chain Type Coupling - Manual Reset



Model	Misalignment		Max Release Nm	Max Torque Rating Nm	Wedgepin	PWR	DIA	Max Bores		Length	Length with Monitor
	Parallel	Angular						Sprocket	Wedgegard		
S350	0.31	½ °	2100	1500	3 x W37	35	137	57	30	106	127
S500	0.38	½ °	2800	2000	3 x W37	47	187	70	45	119	140
S700	0.51	½ °	7700	5500	3 x W50	66	248	102	70	162	183
S950	0.75	½ °	23000	14000	3 x W75	97	326	150	100	216	242
S1000	1.00	½ °	64000	38000	4 x W100	128	462	200	115	286	312

*Dimensions and specifications may change for improvement without notice.

Chain Type Wedgegard Couplings are supplied bored and keywayed to customer requirements..

Standard Units for release torques up to 64,000 Nm.
Torque is adjustable by Wedgepin ratings.

Designs to suit special drive requirements are available.

Standard finish of Xylan coating on Wedgegard unit.

All dimensions in mm.