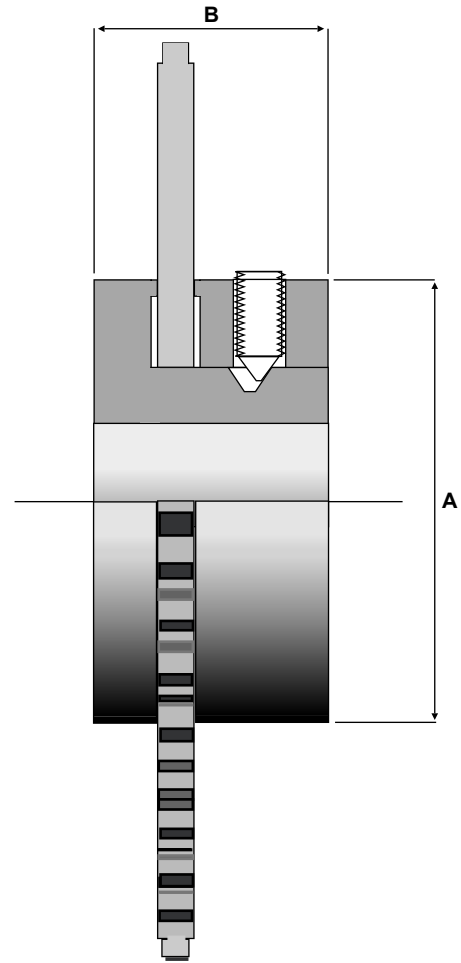


Phasing Hubs

- Phasing Hubs are manufactured to accept Taper Lock Bushing.
- Adjust timing sequence with clamp screw slackened, allowing plate wheel to rotate freely.
- Save time with threading chain through complex machine layouts.
- Hubs for B.S or A.S plate wheels.
- Suitable for timing pulleys, gears and cams.
- Designs to suit special drive requirements are available.
- Phasing Hubs can be supplied with Howdon “Wedgepin” overload protection for backlash-free indexing , combined with drive adjustment.
- All dimensions in mm.



Unit Size	252	352	502
Outside Diameter A (mm)	70	83	120
Length B (mm)	40	46	56.25
Taper Lock Bush	1108	1310	2012
Max Bore (mm)	28 SK	35	50 SK
Plate Wheel Bore (mm)	51.35 H8	63.00 H8	95.00 H8
Minimum Number of Plate Wheel Teeth 1/2" Pitch	21 BS	24 BS	N/A
	21 AS	25 AS	N/A
Minimum Number of Plate Wheel Teeth 5/8" Pitch	18 BS	20 BS	28 BS
	18 AS	20 AS	28 AS
Minimum Number of Plate Wheel Teeth 3/4" Pitch	N/A	18 BS	24 BS
	N/A	18 AS	24 AS
Minimum Number of Plate Wheel Teeth 1" Pitch	N/A	N/A	19 BS
	N/A	N/A	19 AS

*All figures are approximate.

*Dimensions and specifications may change for improvement without notice.

*Dimensions in mm unless otherwise shown.