

### Wedgear Type DFS Coupling - Manual Reset

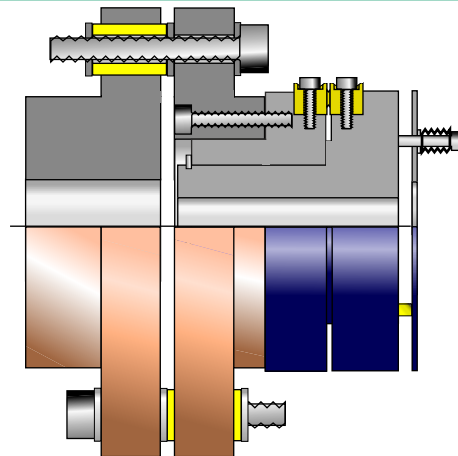
Type DFS Wedgear Couplings are supplied bored and keywayed to customer requirements.

Standard Units for release torques up to 122,000 Nm. Torque is adjustable by Wedgepin ratings.

Monitor Trip Plate supplied as an optional extra for Limit or Proximity Switch shutdown.

Standard finish - Natural.

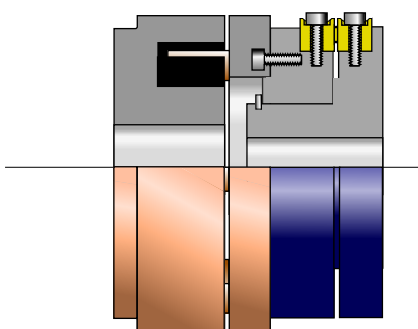
All dimensions in mm.



Model	Nom Drive Nm	Max Release Nm	Wedgepin	PWR	Dia	Bores		Length	Length With Monitor	Min
						Max	Max			Shaft Gap
DFS 350-145	1000	2785	3 x W37	47	145	50	35	140	161	5
DFS 500-195	2000	3230	3 x W37	54.5	195	75	50	171	192	5
DFS 700-240	5000	7700	3 x W50	66	240	90	70	202	223	5
DFS 950-320	10000	21555	3 x W75	105.5	320	130	100	307	333	6
DFS 1000-470	34000	64000	4 x W100	128	470	175	115	372	398	6
DFS 1200-510	50000	74000	4 x W100	147	510	200	150	405	431	6
DFS 1400-560	68000	100000	4 x W120	160	560	215	180	473	499	10
DFS 1600-630	96000	122000	4 x W120	200	630	240	215	530	556	10

\*Dimensions and specifications may change for improvement without notice.

### Wedgear Type NFS Coupling - Manual Reset



Type NFS Wedgear Couplings are supplied bored and keywayed to customer requirements.

Standard Units for release torques up to 21,555Nm. Torque is adjustable by Wedgepin ratings.

Standard finish - Natural.

All dimensions in mm.

Model	Nom Drive Nm	Max Release Nm	Wedgepin	PWR	Dia	Bores		Length	Min
						Max	Max		Shaft Gap
NFS 350-110	400	2785	3 x W37	47	110	48	35	113	3
NFS 500-125	600	3230	3 x W37	54.5	125	55	50	121	3
NFS 700-180	2200	7700	3 x W50	66	180	75	70	162	4
NFS 700-225	5000	7700	3 x W50	66	225	90	70	195	4
NFS 950-250	7000	21555	3 x W75	105.5	250	100	100	250	6

\*Dimensions and specifications may change for improvement without notice.