

Wedgear Type CFS Coupling - Manual Reset

Type CFS Wedgear couplings combine a Centaflex half coupling with the Wedgear torque limiter.

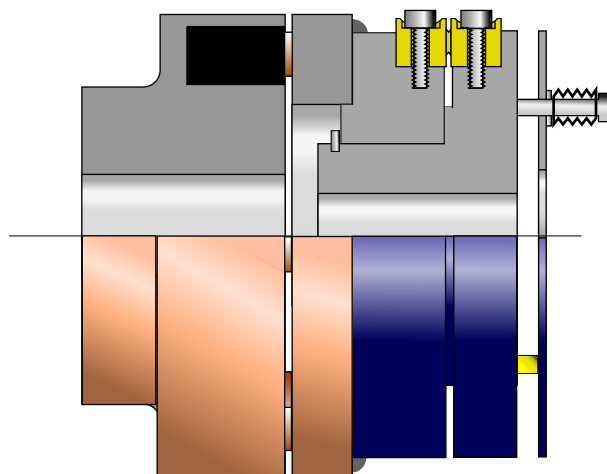
Units can be supplied bored and keywayed to customer requirements.

Monitor Trip Plate supplied as an optional extra for Limit or Proximity Switch shutdown.

Standard Units for release torques up to 64,000 Nm. Torque is adjustable by Wedgepin ratings.

Standard finish - Natural.

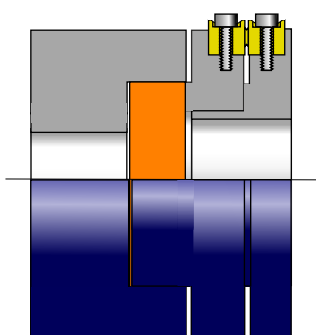
All dimensions in mm.



Model	Nom Drive Nm	Max Release Nm	Wedgepin	PWR	Dia	Bores		Length	Length With Monitor	Min Shaft Gap
						Max	Max			
CFS 250-105	150	471	2 x W25	36.5	105	42	25	96	-	4
CFS 350-135	300	2785	3 x W37	47	135	60	35	129	150	4
CFS 500-160	600	3230	3 x W37	54.5	160	60	50	181	202	10
CFS 500-198	1200	3230	3 x W37	54.5	198	75	50	195	216	10
CFS 700-220	2500	7700	3 x W50	66	220	85	70	218	239	10
CFS 700-275	5000	7700	3 x W50	66	275	100	70	238	259	10
CFS 950-350	10000	21555	3 x W75	105.5	350	130	100	304	330	15
CFS 1000-425	20000	64000	4 x W100	128	425	160	115	359	385	15

*Dimensions and specifications may change for improvement without notice.

Wedgear Type PFS Coupling - Manual Reset



Type PFS Wedgear coupling has been designed for use on machines where it is essential that no pre-loading of the bearings can be permitted. Particularly suitable for positive displacement pumps and metering pumps.

Units can be supplied bored and keywayed to customer requirements.

Standard Units for release torques up to 900 Nm. Torque is adjustable by Wedgepin ratings.

Standard finish - Natural.

All dimensions in mm.

Model	Nom Drive Nm	Max Release Nm	Wedgepin	PWR	Dia	Bores		Length	Min Shaft Gap
						Max	Max		
PFS	400	900	1 x W37	45	100	50	45	102	26

*Dimensions and specifications may change for improvement without notice.