

### Wedgear® Gear Type Coupling - Manual Reset

Gear Type Wedgear Couplings can be supplied bored and keyed to customer requirements.

All Couplings manufactured to AGMA standards.

Standard Units for release torques up to 286,800 Nm. Torque is adjustable by Wedgepin ratings.

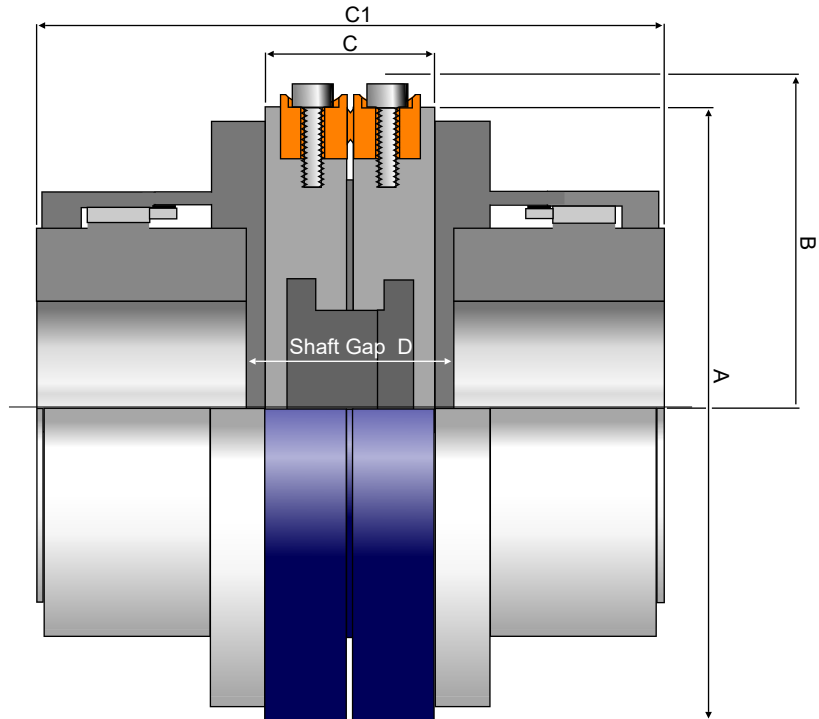
Designs to suit special drive requirements are available.

Maximum Speed 500 RPM.

For speeds greater than 500 RPM units should be balanced.

All dimensions in mm unless otherwise shown.

All figures are approximate.



Size		1	1 1/2	2	2 1/2	3	3 1/2	4	4 1/2	5	5 1/2	6	7
Max Release/Shear (Nm)	Brass	3400	8400	9800	11700	26500	31100	35200	-	-	-	-	-
	Steel	4700	11500	13400	16100	36500	42800	48300	104300	118600	134500	211300	286800
Max Release/Shear (lb ft)	Brass	2500	6200	7200	8600	19550	22950	25950	-	-	-	-	-
	Steel	3460	8500	9900	11870	26900	31560	35600	76900	87500	99200	155850	211550
Nominal Drive Torque (Nm)		1100	2200	3600	6400	10850	17000	27100	35600	50500	65800	85400	131700
Nominal Drive Torque (lb ft)		814	1625	2675	4725	8000	12580	20000	26250	37250	48580	63000	97150
Wedgeslot Quantity		4 x	4 x	4 x	4 x	4 x	4 x	4 x	4 x	4 x	4 x	6 x	8 x
Wedgepin Type		W37	W50	W50	W50	W75	W75	W75	W100	W100	W100	W100	W120
Pin Working Radius (PWR in mm)		59.5	74.5	87	104.5	115.5	135.5	153	164.5	187	212	222	255
Maximum Bore (Gear Coupling Hubs)		42	57	73	95	110	127	150	166	186	206	230	275
Outside Diameter (A)		125	160	185	220	250	290	325	355	400	450	470	540
Clearance Diameter (B)		145	190	210	245	290	330	360	390	440	490	510	595
Spacer Length (C)		54	74	74	74	104	104	104	104	125	125	125	125
Overall Length (C1)		143	176	201	233	291.5	323.5	351.5	382	439	470	509	576
Shaft Gap (D)		57.5	77.5	77.5	79	110	110	110	112	133	133	133	135
Bolt Fixing Quantity		6 x	8 x	6 x	6 x	8 x	8 x	8 x	10 x	8 x	14 x	14 x	16 x
Bolt Fixing Size (UNF)		1/4"	3/8"	1/2"	5/8"	5/8"	3/4"	3/4"	3/4"	7/8"	7/8"	7/8"	1"
Fixing Bolt P.C.D. (mm)		95.25	122.25	149.225	180.975	206.375	241.3	279.4	304.8	342.9	368.3	400.05	463.55
Spacer Weight (Kgs) Approx		4.5	9.5	12.5	18.5	33	45	58	70	106	133	146	199
Incl Gear Coupling (Kgs) Approx		8.5	17.5	26.5	45.5	70	105	149	192	282	344	440	648

\*All figures are approximate.

\*Dimensions and specifications may change for improvement without notice.

\*Dimensions in mm unless otherwise shown.