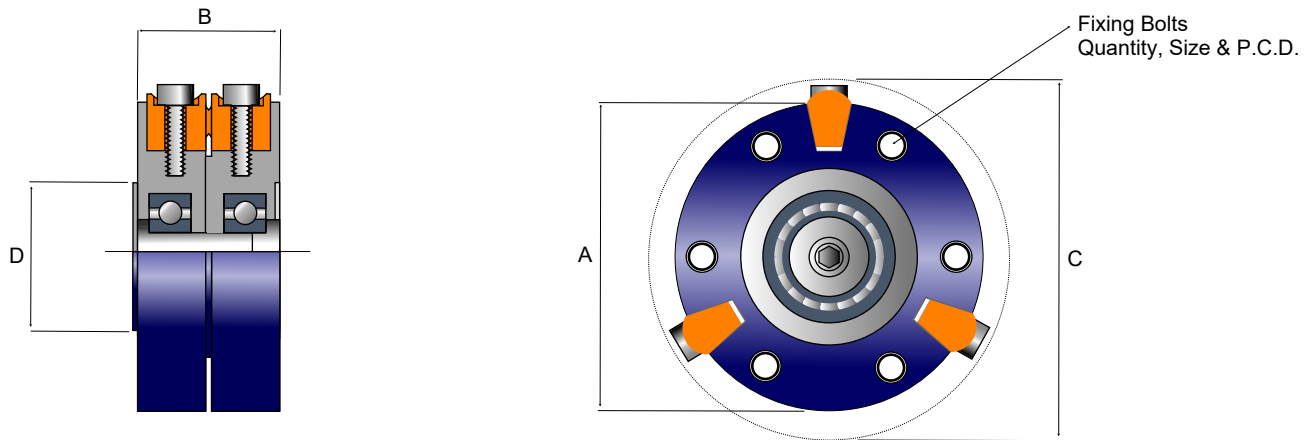


Wedgegard® Type SAE Spacer - Manual Reset



Size - SAE		14	31	35	41	51	60	70	80
UJ Shaft Size		1140	1310	1350	1410	1510	1600	1700	1800
Max Release/Shear Torque (Nm)	Brass	1941	1941	2415	2415	6000	9080	10820	19840
	Steel	2670	2670	3320	3320	8250	12480	14860	27240
Max Release/Shear Torque (lb ft)	Brass	1430	1430	1780	1780	4425	6700	7980	14630
	Steel	1970	1970	2450	2450	6085	9200	10960	20000
Wedgeslot Quantity & Wedgepin Type		3 x W37	3 x W37	3 x W37	3 x W37	3 x W50	4 x W50	4 x W50	4 x W75
Pin Working Radius (PWR)		45	45	56	56	74	84	100	100
Outside Diameter (A)		100	100	120	120	150	175	205	205
Length (B)		36	36	40	40	55	55	55	63
Clearance Diameter (C)		115	115	135	135	175	200	230	250
Spigot Diameter (D)		57.15	60.32	69.85	69.85	95.2	168.2	196.8	196.82
Bolt Fixing Quantity & Size		4 x M8	4 x 3/8" UNC	4 x M10 / M12	4 x M10 / M12	4 x M12	8 x 3/8" UNC	8 x 3/8" UNC	12 x M10
Bolt Fixing P.C.D.		69.8	79.45	95.25	95.25	120.7	155.55	184.2	184.2

*Dimensions and specifications may change for improvement without notice.

Fits standard SAE UJ (Universal Joint) companion flanges.

Release torque is adjustable by Wedgepin ratings.

The maximum release torque is based on maximum Wedgepin capacity and not UJ shaft capacity- Check your UJ shaft manufacturers max load rating.

Spigot diameters may change on higher rated UJ shafts.

When selecting high overloads always limit the release torque to 90% of UJ shaft manufacturers full load rating.

All dimensions in mm.