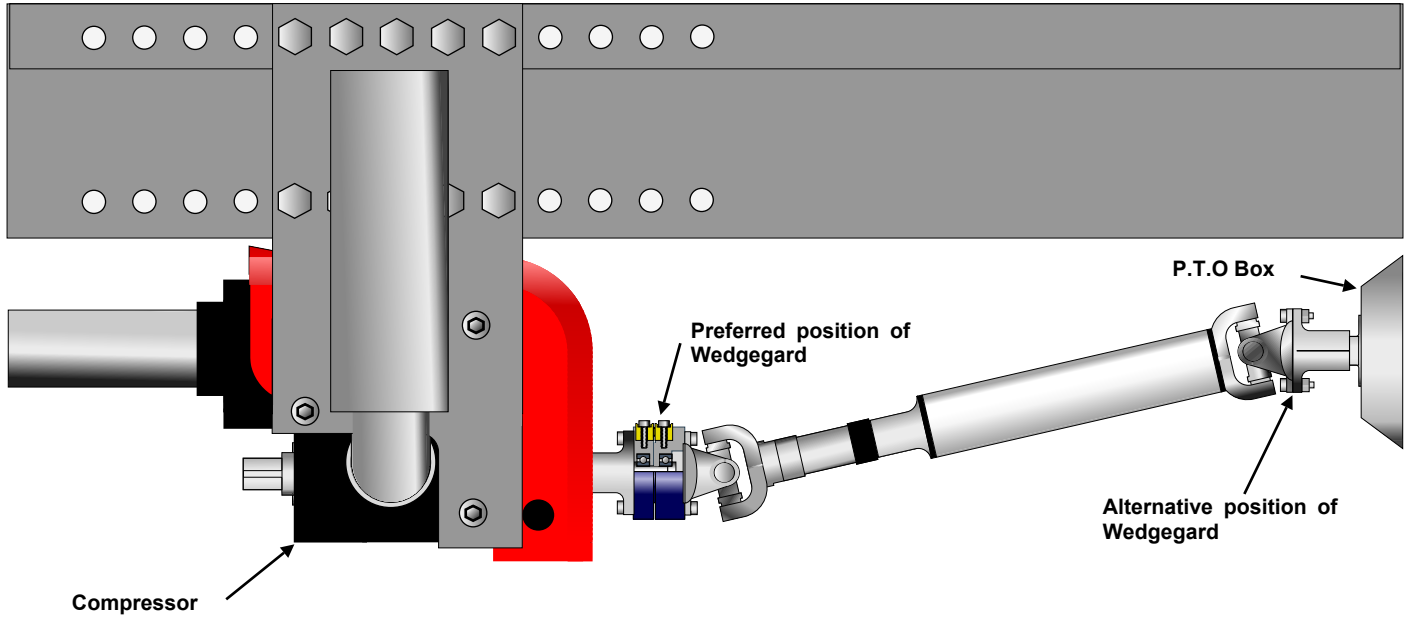


**Bulk Transport Vehicle - Typical Mechanical PTO Drive**



**Industrial Plant - Typical UJ Shaft Drive**

