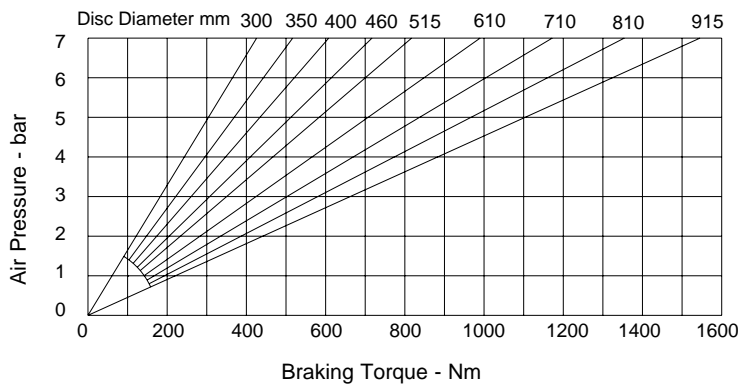
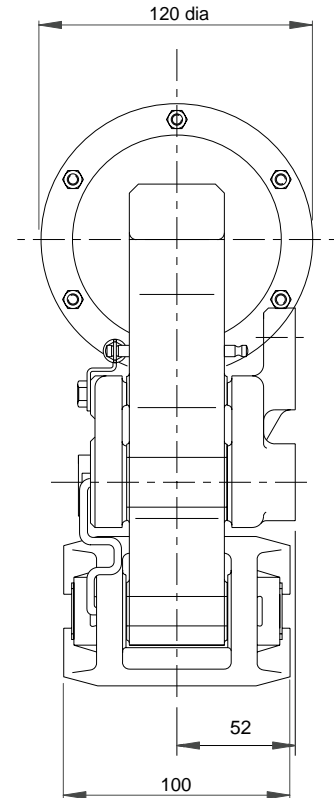
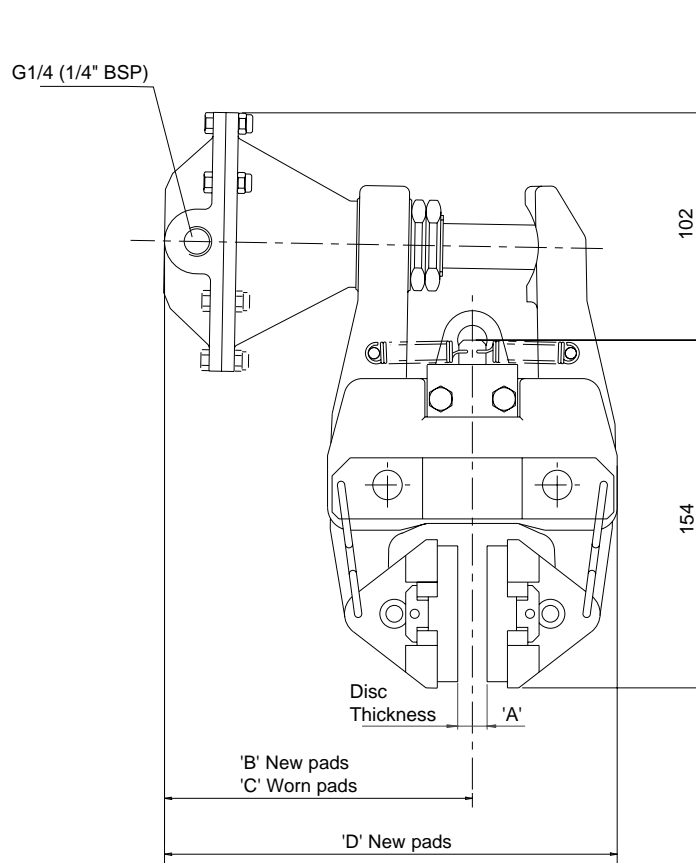


MXD Disc Brake Caliper - Pneumatically Applied, Spring Released

Nominal dimensions given
For caliper dimensions see DS2500

DS2503



| Dimensions in mm | | | | |
|------------------|-----|-------|-------|-------|
| Caliper | 'A' | 'B' | 'C' | 'D' |
| MXD 13 | 13 | 131.5 | 139.5 | 196.5 |
| MXD 25 | 25 | 136 | 144 | 203 |
| MXD 30 | 30 | 131.5 | 139.5 | 202.5 |
| MXD 40 | 40 | 136 | 144 | 211 |

Weight (caliper and thruster) - 8.15kg
(thruster only) - 1.15kg

Volume displacement of thruster at full stroke is 150ml.

Maximum Braking Force = 3.6kN @ 7 bar

Maximum Pressure 7 bar

The ratings shown on the above graph are based on fully bedded and conditioned brake pads with nominal friction coefficient $\mu = 0.4$.

For bedding-in and conditioning procedures see Publication M1060.

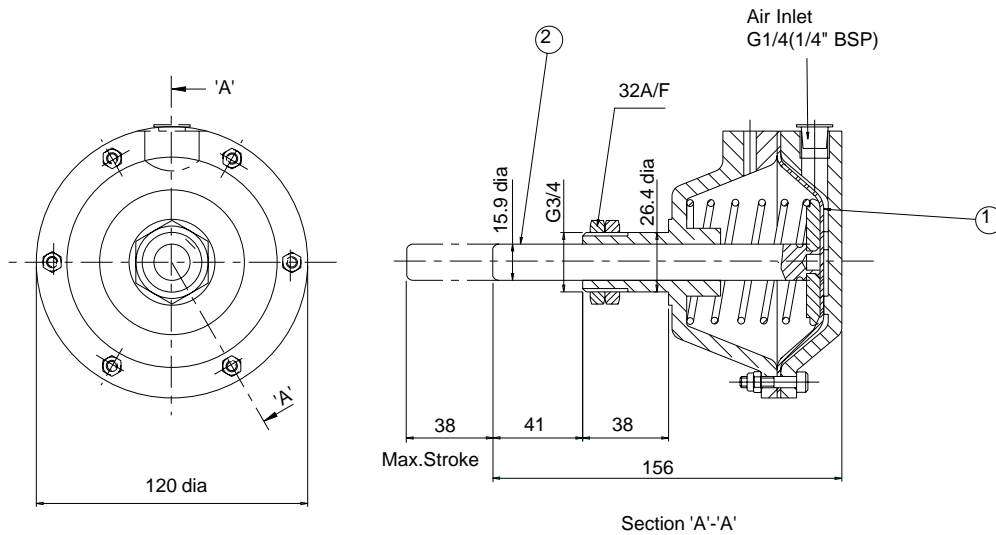
Braking Force is defined as the Tangential Force acting on the brake disc at the Effective Disc Radius.

Braking Torque (Nm) = Braking Force (N) x Effective Disc Radius (m) where Effective Disc Radius = Actual Disc Radius - 0.033.

Twiflex Disc Brakes must be used with Twiflex asbestos free brake pads. The use of any other brake pads will invalidate the warranty.

Twiflex Limited reserves the right to modify or change the design without prior notice.

MXD Disc Brake Caliper - Pneumatically Applied, Spring Released



Thruster part number 7200863

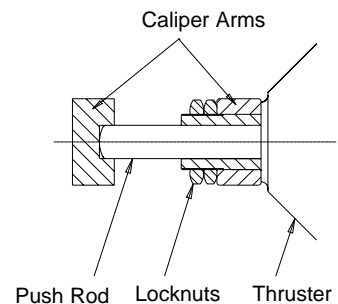
| AVAILABLE SPARES | | |
|------------------|---------------------|----------|
| Item | Component | Part No. |
| 1 | Diaphragm Kit | 7902799 |
| 2 | Piston Rod Assembly | 7200802 |

This range of pneumatically operated brakes uses dry and filtered compressed air at pressures up to 7 bar. Pneumatic brakes require a control valve which may be operated either manually, or by pneumatic or electrical signal.

Should it become necessary to replace a diaphragm, ensure air supply is disconnected, remove the M5 bolts and the rear cap of the thruster. Remove the worn diaphragm; clean-up the contacting surfaces and re-assemble with the new diaphragm and bolts in position (Tightening Torque 5.7Nm).

Thruster fitment

1. Offer thruster to caliper making sure that both lock nuts are removed before placing push rod through caliper arm.
2. Fit lock nuts over the push rod and locate it's end within the slot of the other arm.
3. Tighten one lock nut to 50-60 Nm then tighten the second nut against the first.



This Approval is in Accordance with Certificate number 850822 Issue 03 Aug 2001 © Twiflex 2001.

Twiflex Limited.

The Green Twickenham
TW2 5AQ England

Tel: 020 8894 1161

Fax: 020 8894 6056

Website: www.twiflex.com

e-mail: sales@twiflex.co.uk