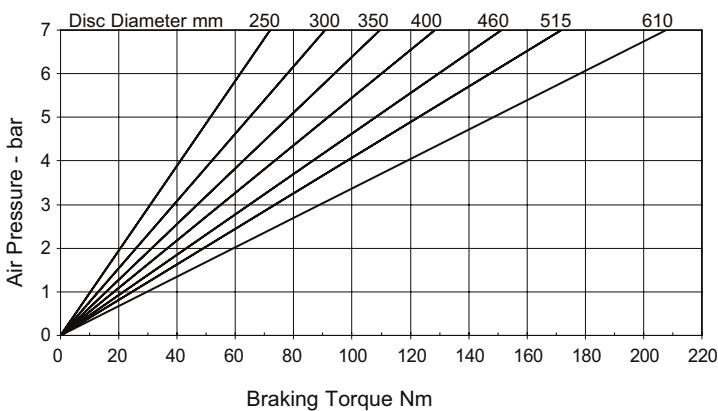
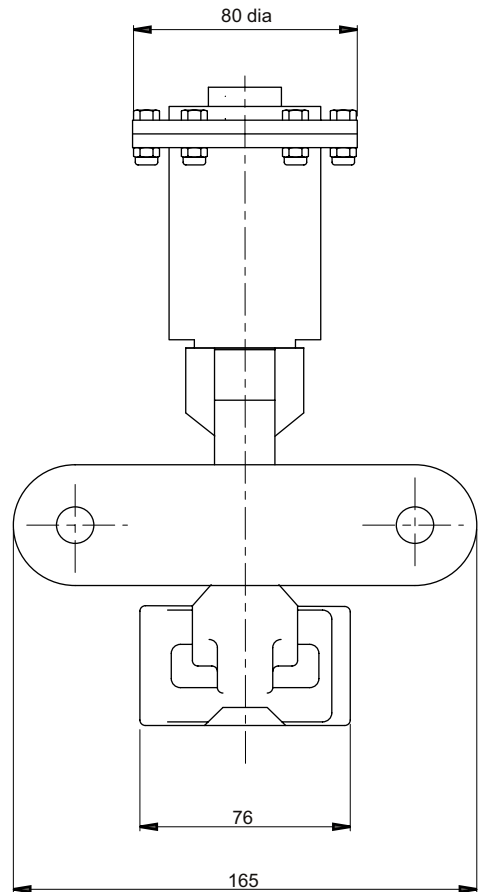
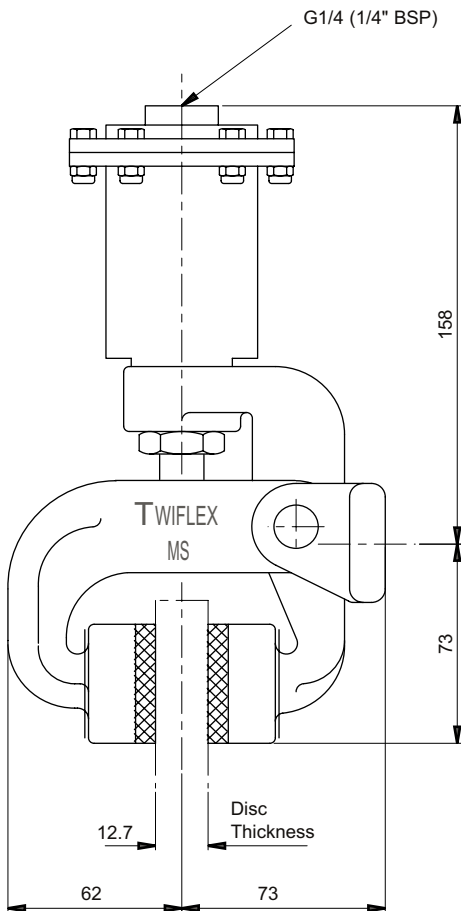


MSG Disc Brake Caliper - Pneumatically Applied, Spring Released

Nominal dimensions given
For caliper dimensions see DS1500

DS1505



Weight (caliper and thruster) - 1.89kg
(thruster only) - 0.39kg
Volume displacement of thruster at full stroke is 21ml.

Maximum Pressure 7 bar

Maximum Braking Force = 0.76kN @ 7 bar

The ratings shown on the above graph are based on fully bedded and conditioned brake pads with nominal friction coefficient $\mu = 0.4$.

For bedding-in and conditioning procedures see Publication M1060.

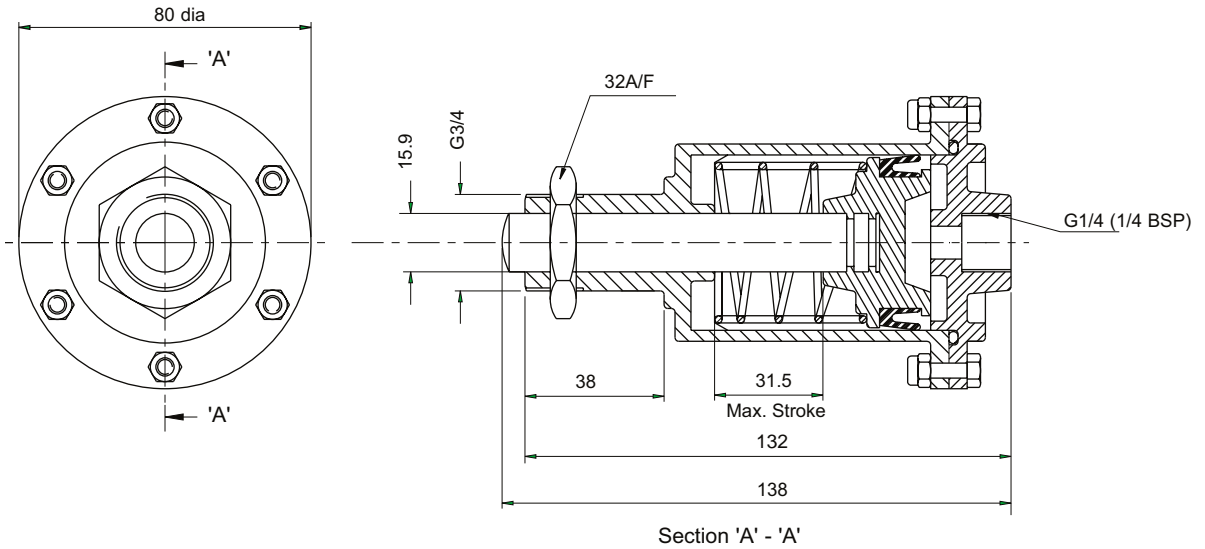
Braking Force is defined as the Tangential Force acting on the brake disc at the Effective Disc Radius.

Braking Torque (Nm) = Braking Force (N) x Effective Disc Radius (m) where Effective Disc Radius = Actual Disc Radius - 0.03.

Twiflex Disc Brakes must be used with Twiflex asbestos free brake pads. The use of any other brake pads will invalidate the warranty.

Twiflex Limited reserves the right to modify or change the design without prior notice.

MSG Disc Brake Caliper - Pneumatically Applied Spring Released

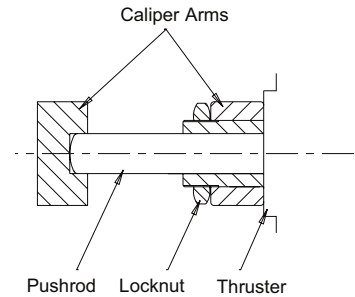


Thruster part number 7200482

This range of pneumatically operated brakes uses dry and filtered compressed air at pressures up to 7 bar. Pneumatic brakes require a control valve which may be operated either manually or by pneumatic or electrical signal.

Thruster Fitment

1. Offer thruster to caliper making sure that the lock nut is removed before placing push rod through caliper arm
2. Fit lock nut over the push rod and locate it's end within the slot of the arm
3. Tighten the lock nut to 50-60 Nm



Twiflex Limited.

The Green Twickenham
TW2 5AQ England

Tel: 020 8894 1161
Fax: 020 8894 6056
Website: www.twiflex.com
e-mail: sales@twiflex.co.uk



This Approval is in Accordance with Certificate number 850822
Issue 02 Aug 2001
© Twiflex 2001.